

ATX™ FDLED Series Luminaires

Flameproof

ATEX/IECEX:
Zone 1 and 2 - 21 and 22
⊕ II 2GD
Ex d IIB (4725 lm version)
Ex d IIB+H₂ (2400 lm version)
Ex d IIC (400 lm version)

ATEX/IECEX:
IK09 (400 and 2400 lm version)
IK08 (4725 lm version)
IP66/68

Applications

- Can be installed in hazardous areas designated as Zone 1 and 2 – 21 and 22.
- For use in locations where a high degree of corrosion resistance is required.
- For indoor/outdoor use where protection against dirt, water and moisture is necessary.
- Typical applications include:
 - Oil refineries
 - Petrochemical facilities
 - Pulp and paper, mills
 - Painting, sewage and water treatment facilities
 - Warehouses
 - Underground tunnels
 - General manufacturing facilities.

Features

- Impact resistant borosilicate glass sealed tube.
- Easy access to LED array through gray painted aluminum threaded entry cap.
- Supplied with O-ring for improved ingress protection.
- Corrosion-resistant gray painted aluminum.
- Supplied with energy efficient electronic driver on a removable gear tray.
- Supplied with external and internal ground/earth connection.
- Fixture supplied with one M20 blanking plug.
- Easy connection to wire and disconnect with plug-in terminal blocks.

Standard Materials

- End caps and cover: aluminum.
- Glass tube: tempered borosilicate glass.
- O-ring gasket: Nitrile (NBR).
- Internal reflector: white powder coated galvanized steel (400 lm version) or aluminium (2400/4725 lm versions).
- Mounting accessories: several accessories in different material such as zinc plated steel, galvanized steel or 316 stainless steel.

Options

- Diffused polycarbonate lens (2400/4725 lm versions only)
- Ta -50 °C (-58 °F) IP66 (without gasket)
- Ta -40 °C (-40 °F) IP66/68 (with EPDM70)

ATEX/IECEX Certifications and Compliances

- Certification Type FDLED
 - Gas: Zone 1 and 2:
 - Conforming to ATEX 94/9/CE: ⊕ II 2 G
 - Type of Protection: Ex d IIB (4725 lm version), Ex d IIB+H₂ (2400 lm version), Ex d IIC (400 lm version)
 - Temperature Class: T6
 - Dust: Zone 21 and 22:
 - Conforming to ATEX 94/9/CE: ⊕ II 2 D
 - Type of Protection: Ex tb IIIC
 - Surface Temperature:
 - +75 °C (+167 °F) (400 lm version)
 - +80 °C (+176 °F) (2400 and 4725 lm version)
- Ambient Temperature: -30 °C to 60 °C (-22 °F to +140 °F)
- CE Declaration of Conformity: 50312
- ATEX Certificate: INERIS 15 ATEX 0042X
- IECEX Certificate: IECEX INE 15.0046X
- Index of Protection according EN/IEC 60529: IP66/68



4725 lm (IIB)



2400 lm (IIB+H₂)



400 lm (IIC)

- Impact Resistance (shock): IK09 (400 and 2400 lm version), IK08 (4725 lm version)
- Internal Volume: > 2 dm³ (122 in³) - 2 liters

LED/AREA: NEC/CFC EXPLOSIONPROOF/ATEX/IECEX FLAMEPROOF

Appleton®

ATX™ FDLED Series Luminaires

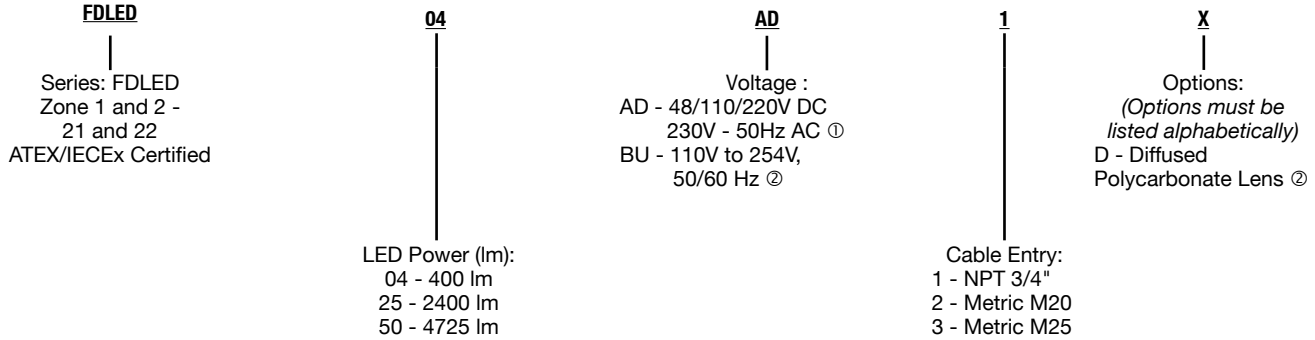
Flameproof

ATEX/IECEEx:
 Zone 1 and 2 - 21 and 22
 Ⓢ I/2GD
 Ex d IIB (4725 lm version)
 Ex d IIB+H₂ (2400 lm version)
 Ex d IIC (400 lm version)

ATEX/IECEEx:
 IK09 (400 and 2400 lm version)
 IK08 (4725 lm version)
 IP66/68

LED/AREA: NEC/CEC EXPLOSIONPROOF/ATEX/IECEEx FLAMEPROOF

Catalog Numbering Guide – FD LED Series Luminaires



Technical Data

Lumen Output	Type	P	I _e	Gas group	Ambient Temperature °C (°F)	Class of Temperature	Surface Temperature °C (°F)
400 lm	LED	6 W	0.03 A	IIC	-30 °C to + 60°C (-22 °F to +140 °F)	T6	75 (167)
2400 lm	LED	23 W	0.21 A	IIB+H ₂	-30 °C to + 60°C (-22 °F to +140 °F)	T6	80 (176)
4725 lm	LED	46 W	0.42 A	IIB	-30 °C to + 60°C (-22 °F to +140 °F)	T6	80 (176)

Led Power (lm)	Voltage	Cable Entry	Weight kg (lb)	Volume dm ³ (in ³)	Catalog Number
400 lm	48/110/220V DC 230V - 50Hz AC	M20	7.8 (17.2)	36.0 (2196.9)	FDLED04AD2
2400 lm	110V to 254V, 50/60 Hz	M20	8.1 (17.9)	37.1 (2264.0)	FDLED25BU2
4725 lm	110V to 254V, 50/60 Hz	M20	9.0 (19.8)	58.0 (3539.4)	FDLED50BU2

① Only 400 lm version
 ② Only 2400 and 4725 lm version


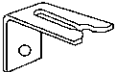

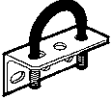
ATX™ FDLED Series Luminaires

Flameproof

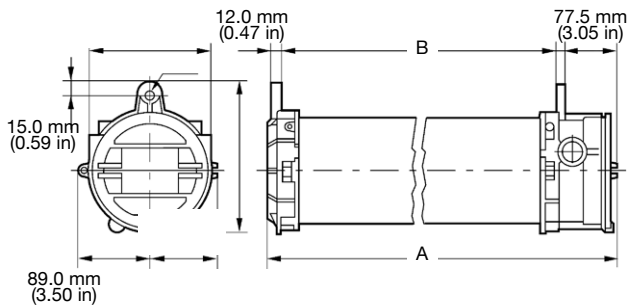
ATEX/IECEX:
 Zone 1 and 2 - 21 and 22
 II2GD
 Ex d IIB (4725 lm version)
 Ex d IIB+H₂ (2400 lm version)
 Ex d IIC (400 lm version)

ATEX/IECEX:
 IK09 (400 and 2400 lm version)
 IK08 (4725 lm version)
 IP66/68

Accessories and Replacement Parts

	Description	Catalog Number
Protective Guard – Zinc Plated Steel		
	Model 0.3 (for 400 lm)	FDPG1Z
	Model 0,4 (for 2400 lm)	FDPG5Z
	Model 0.6 (for 4725 lm)	FDPG2Z
Fixing Brackets for Ease of Surface Installation – Set of Two		
	Zinc plated steel	FDFBZ
	316 stainless steel	FDFBS
Surface Mounting Brackets – Set of Two		
	Zinc plated steel	FDSBZ
	316 stainless steel	FDSBS
Half Clamp Brackets for Pole Mounting – Set of Two		
	For 42 mm (1.65 in) to 49 mm (1.93 in) pole (1-1/4 to 1-1/2" tube)	
	Zinc plated steel	FDHC49Z
	316 stainless steel	FDHC49S
	For 60 mm (2.36 in) pole (2" tube)	
	Zinc plated steel	FDHC60Z
	316 stainless steel	FDHC60S
Fall Prevention Kit		
	1.20 meter (3.93 feet) stainless steel chain	FDSCS

Dimensions in Millimeters (Inches)



Model	A	B
0.3 (400 lm)	430 (16.93)	335 (13.19)
0,4 (2400 lm)	470 (18.50)	375 (14.76)
0.6 (4725 lm)	745 (29.33)	650 (25.59)